



rubberpar

The global rubber technical service

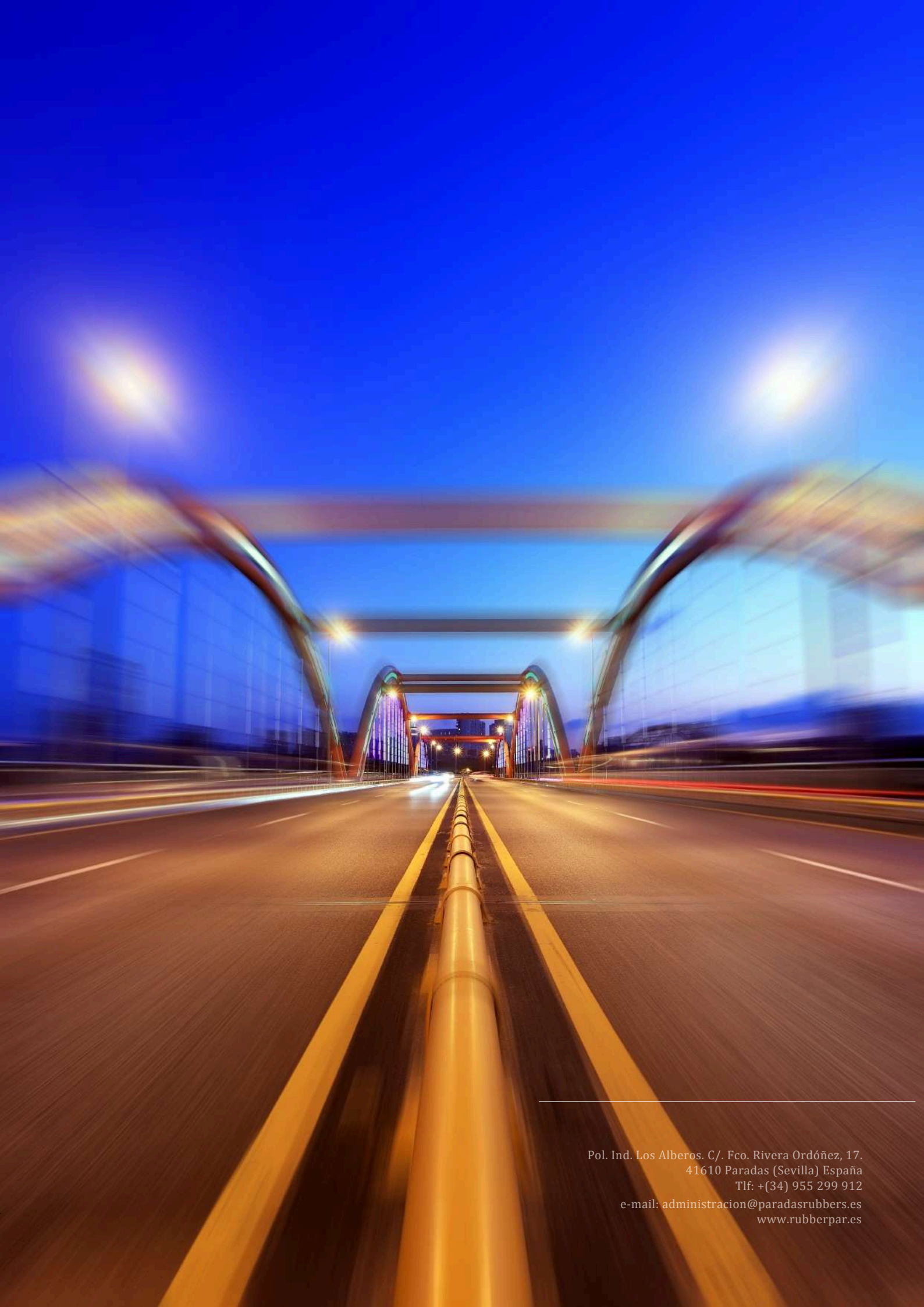


IRRIGATION CONSTRUCTION AGRICULTURE, S.L.

ELASTOMERIC BEARINGS PADS

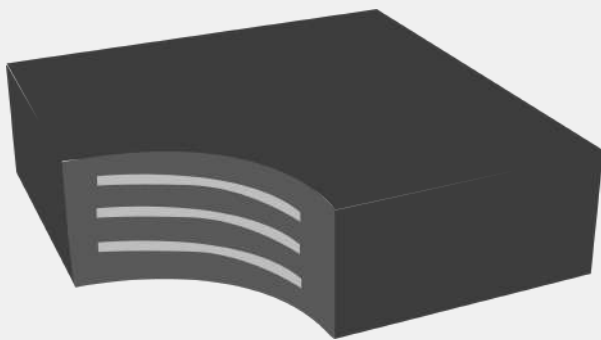
ELASTOMERIC SUPPORTS





Pol. Ind. Los Alberos. C/. Fco. Rivera Ordóñez, 17.
41610 Paradas (Sevilla) España
Tlf: +(34) 955 299 912
e-mail: administracion@paradasrubbers.es
www.rubberpar.es

TYPE B



Specific features

- Double or more sheets assembly.
- Support laminated with 2 or more steel reinforcing plates.
- Also Available in O ring format.

Standard sizes for type B support

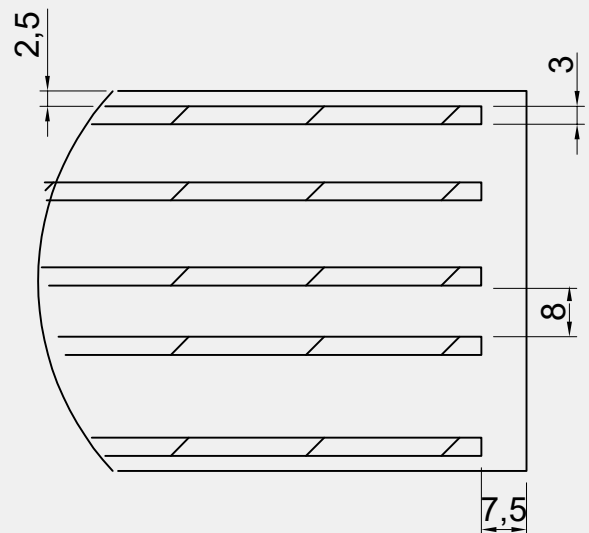
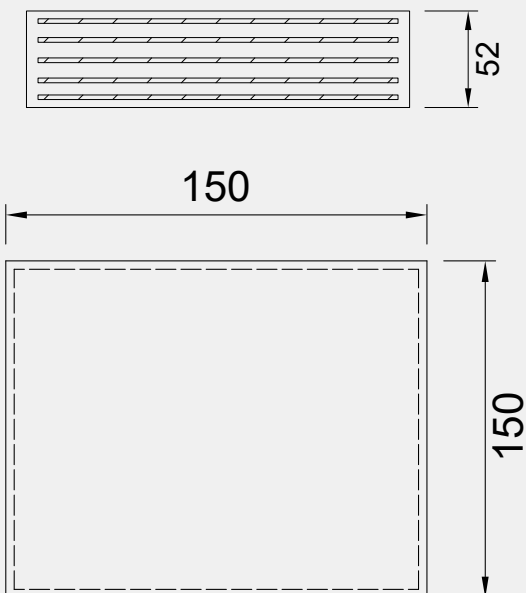
Dimensions	Unloaded thickness		Elastomer Layers	Reinforcement Plates	Number of Layers	
	Min.	Max.			Min.	Max.
150x150	37	52	8 mm	3 mm	2	3
200x250	45	63	8 mm	3 mm	3	6
200x300	45	63	8 mm	3 mm	3	6
200x300	53	74	8 mm	3 mm	3	7
200x400	53	74	8 mm	3 mm	3	7
250x300	53	63	8 mm	3 mm	3	6
250x300	53	74	8 mm	3 mm	3	7
300x400	85	118	11,50 mm	4 mm	3	9
400x400	81	107	10 mm	4 mm	3	9
400x600	49	69	11 mm	4 mm	3	5
600x800	71	99	11 mm	4 mm	3	8
Ø 250	45	63	8 mm	3 mm	3	6
Ø 300	71	107	12 mm	4 mm	3	7
Ø 360	49	69	11 mm	4 mm	3	5

RUBBER (CR)		
TEST	SPECIFICATION	METHOD
HARDNESS (SHORE A)	60 ± 5	Grados
TENSILE STRENGTH MINIMUM	16	MPa
MINIMUM ELONGATION AT BREAK	425	%
MINIMUM RESISTANCE TO TEARING	10	KN/m

STEEL S235		
TEST	SPECIFICATION	METHOD
ELASTIC LIMIT	2350	Kp/cm ²
BREAKING STRAIN	3600-5200	Kp/cm ²

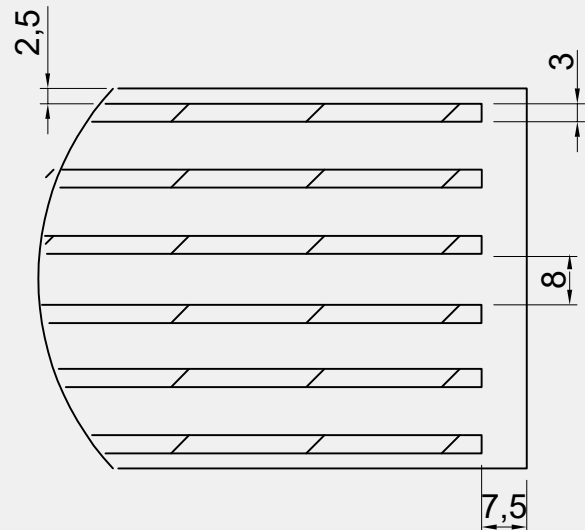
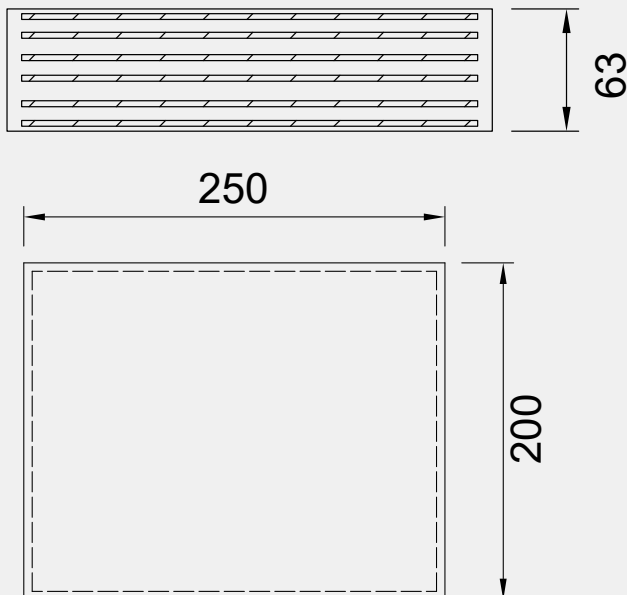
TYPE B

ELASTOMERIC BEARING TYPE B 150X150X52 (37) MM.



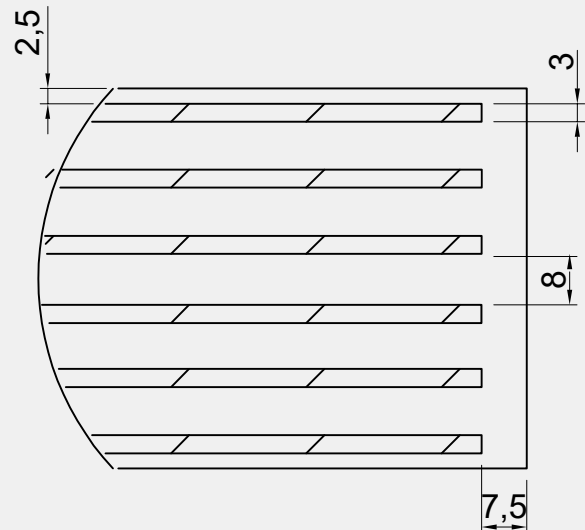
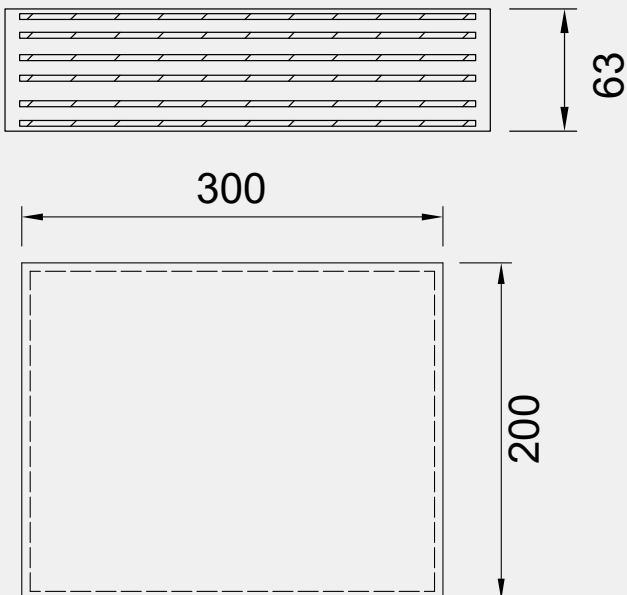
TYPE B

ELASTOMERIC BEARING TYPE B 200X250X63 (45) MM.



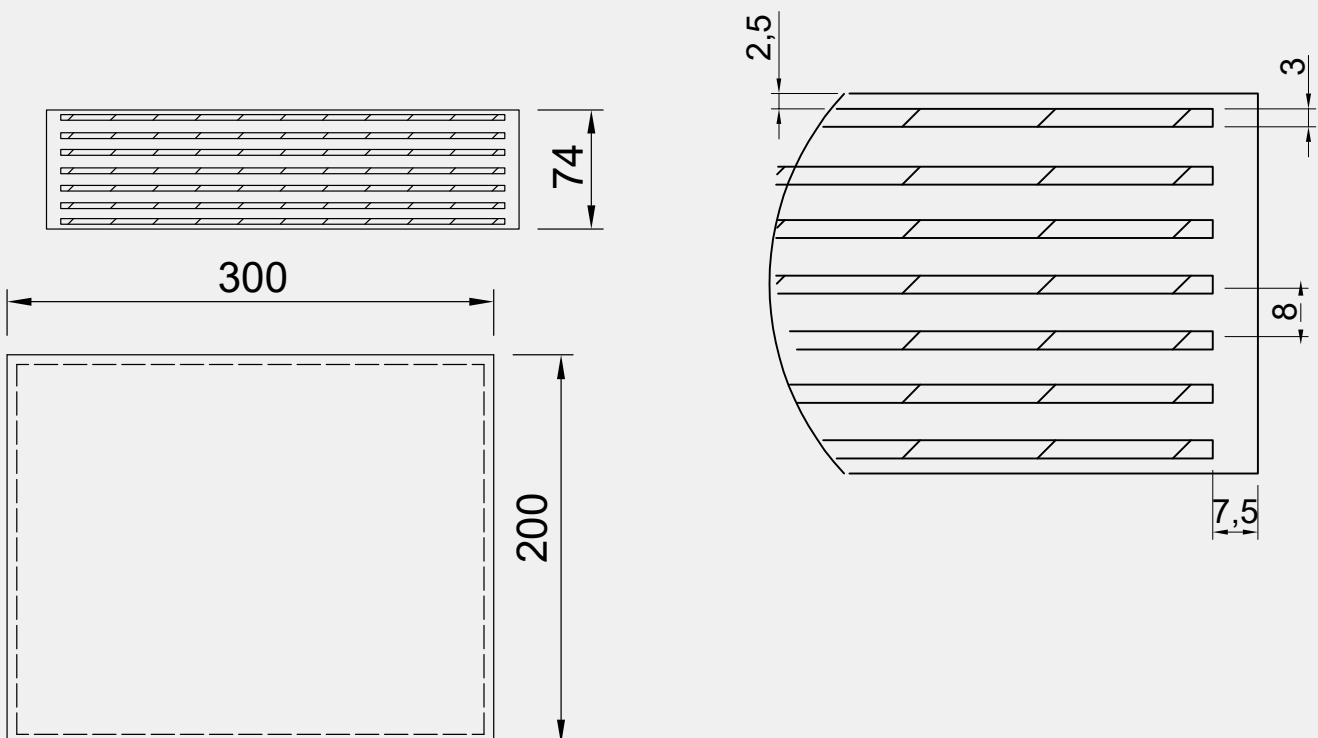
TYPE B

ELASTOMERIC BEARING TYPE B 200X300X63 (45) MM.



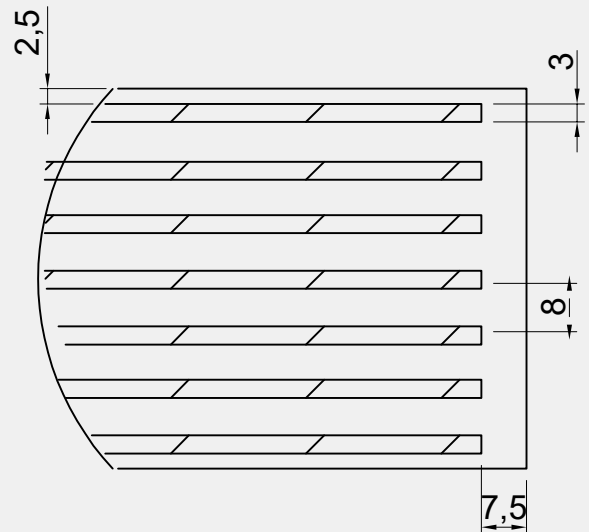
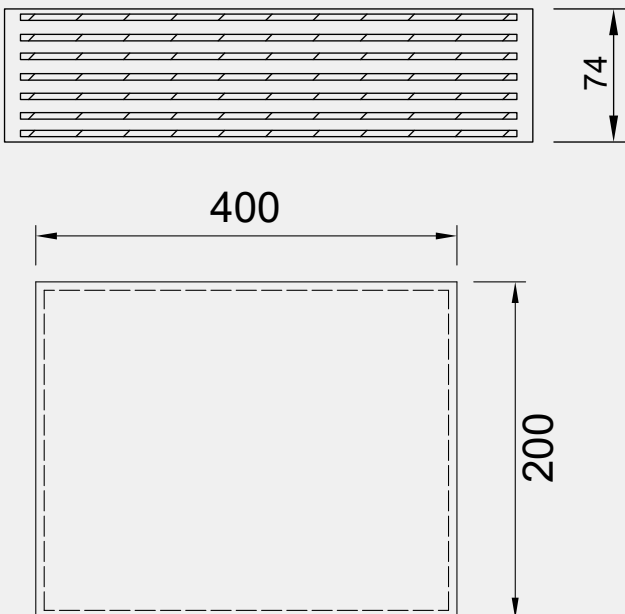
TYPE B

ELASTOMERIC BEARING TYPE B 200X300X74 (53) MM.



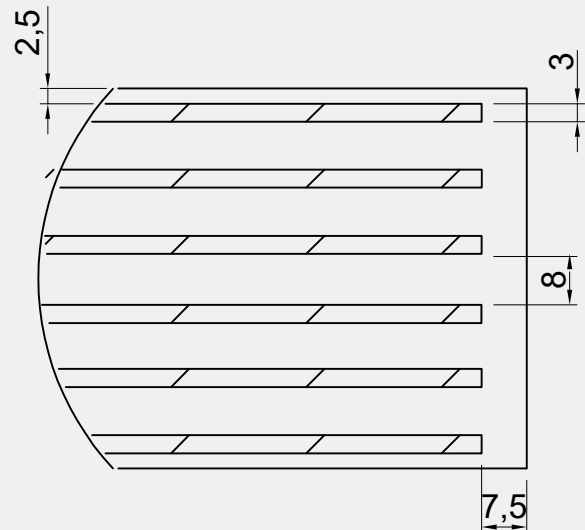
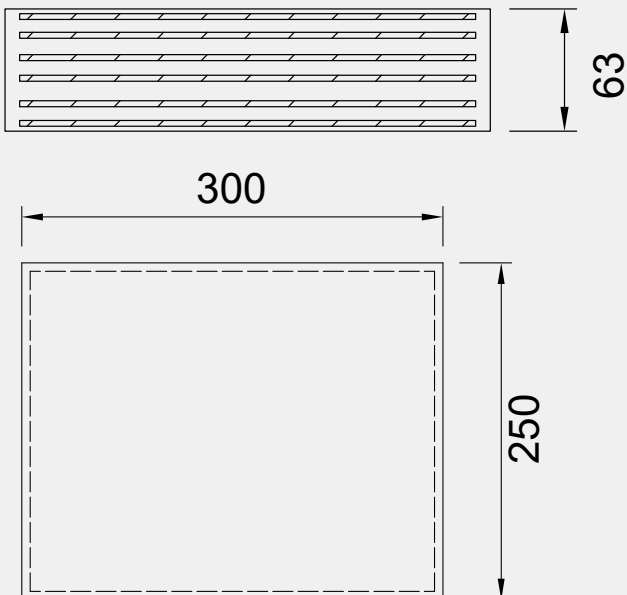
TYPE B

ELASTOMERIC BEARING TYPE B 200X400X74 (53) MM.



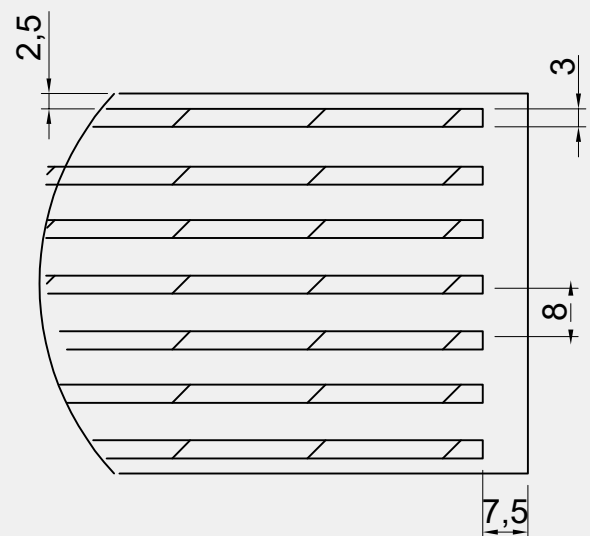
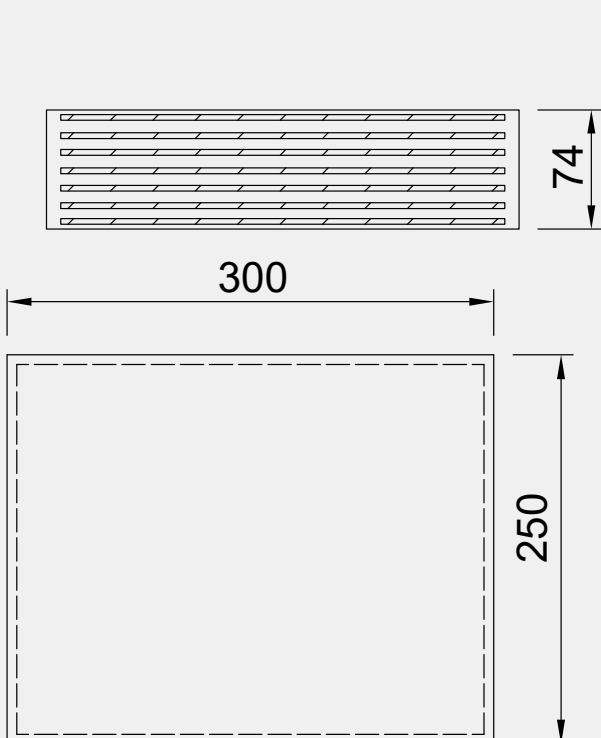
TYPE B

ELASTOMERIC BEARING TYPE B 250X300X63 (53) MM.



TYPE B

ELASTOMERIC BEARING TYPE B 250X300X74 (53) MM.



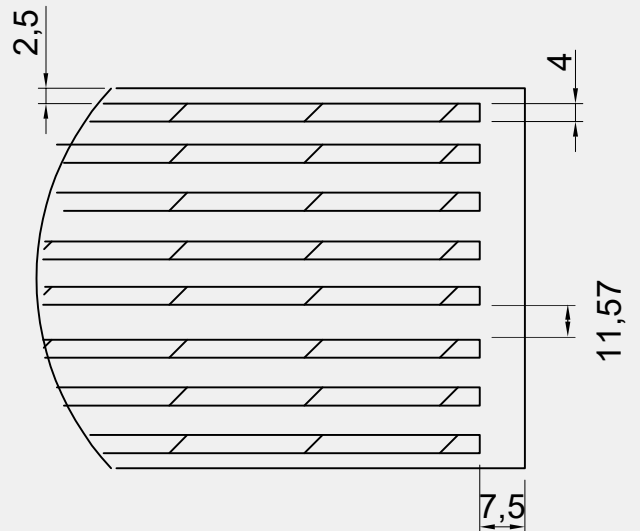
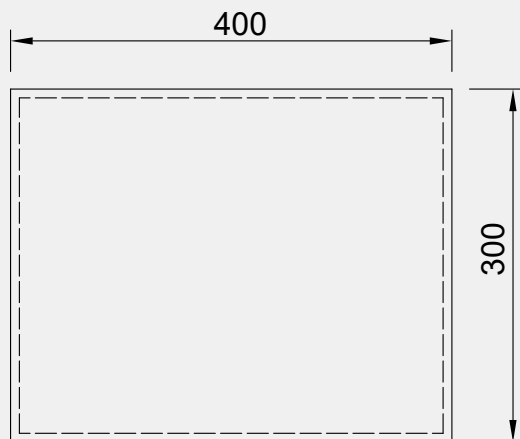
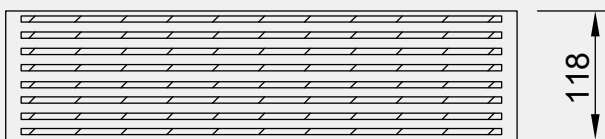


ELASTOMERIC BEARINGS PAD. TYPES.

ELASTOMERIC SUPPORTS

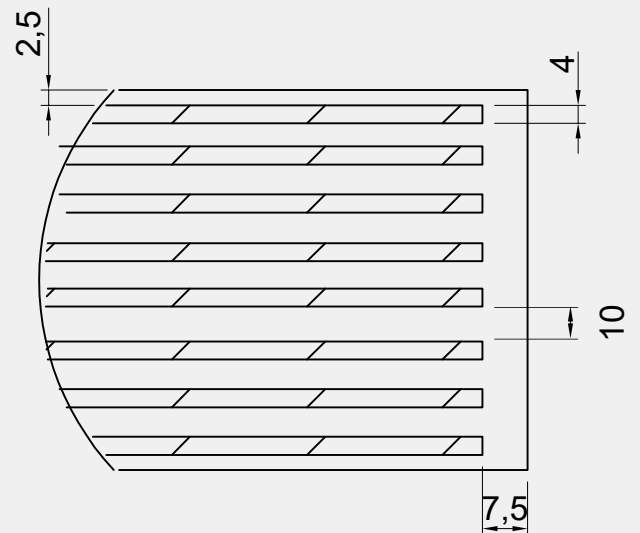
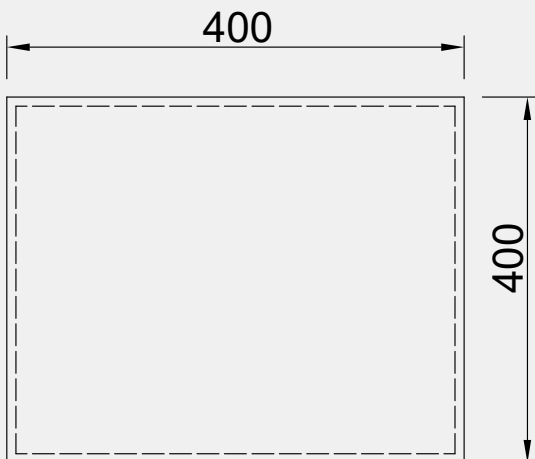
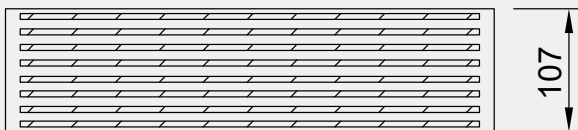
TYPE B

ELASTOMERIC BEARING TYPE B 300X400X118 (85)MM.



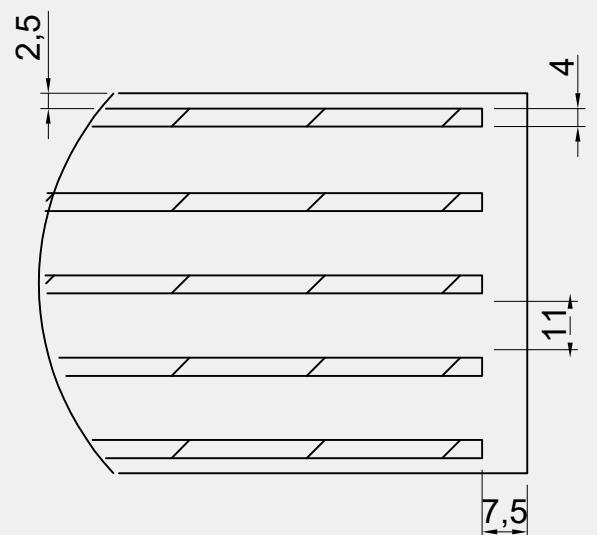
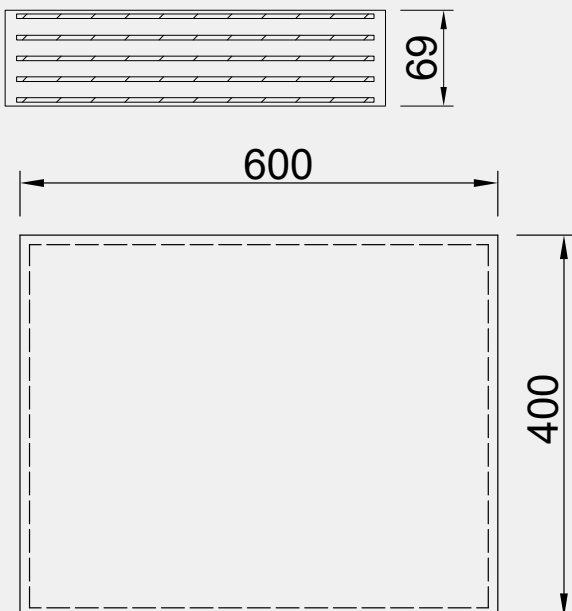
TYPE B

ELASTOMERIC BEARING TYPE B 400X400X107 (81)MM.



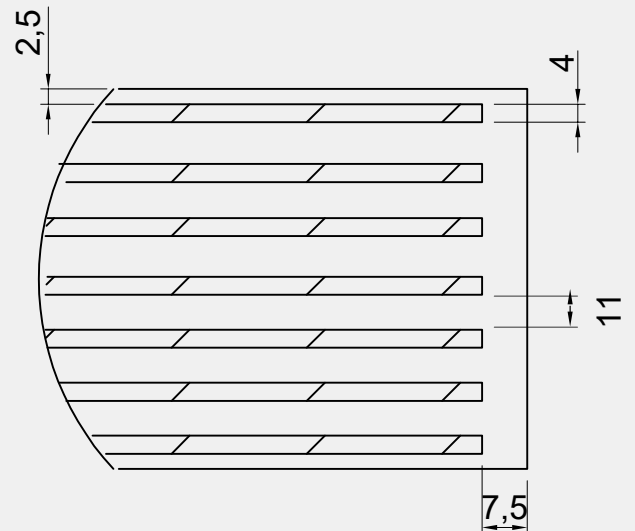
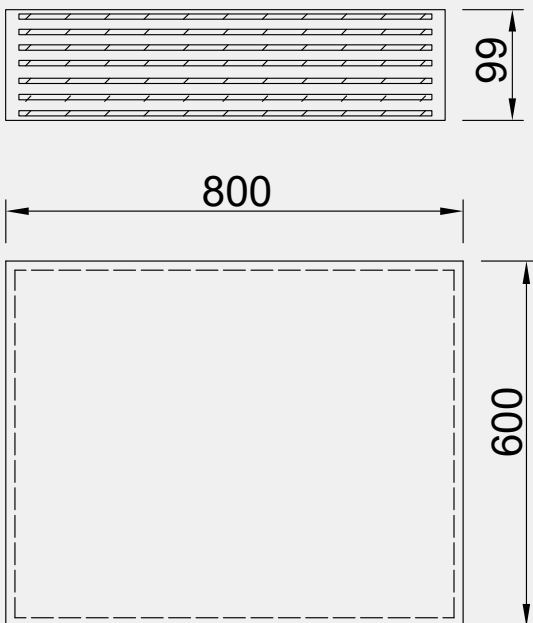
TYPE B

ELASTOMERIC BEARING TYPE B 400X600X69 (49) MM.



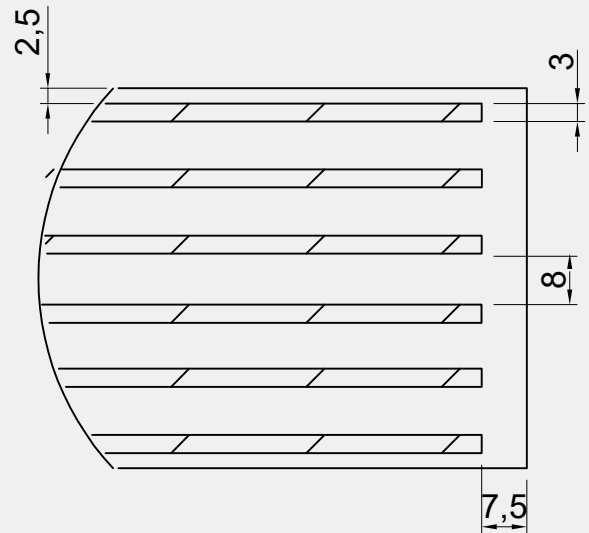
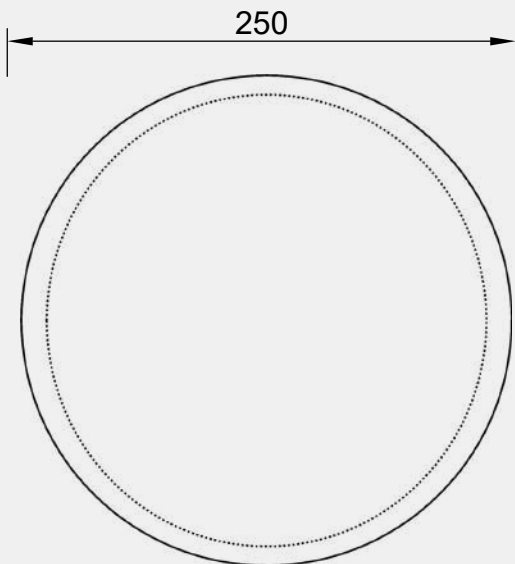
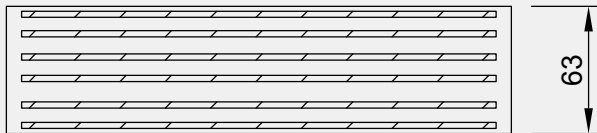
TYPE B

ELASTOMERIC BEARING TYPE B 600X800X99 (71)MM.



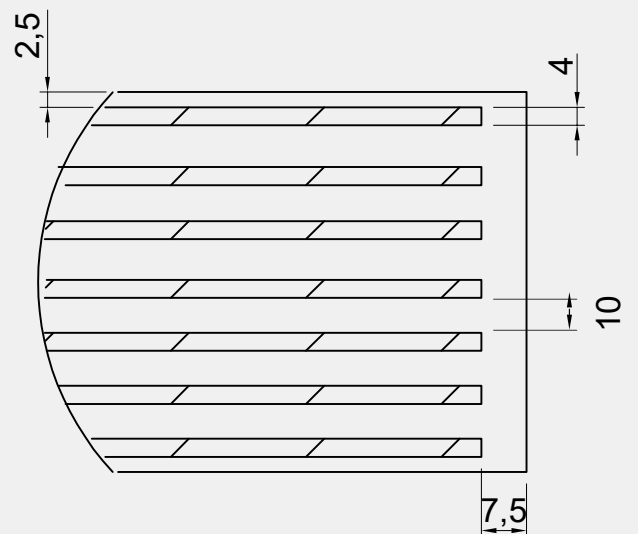
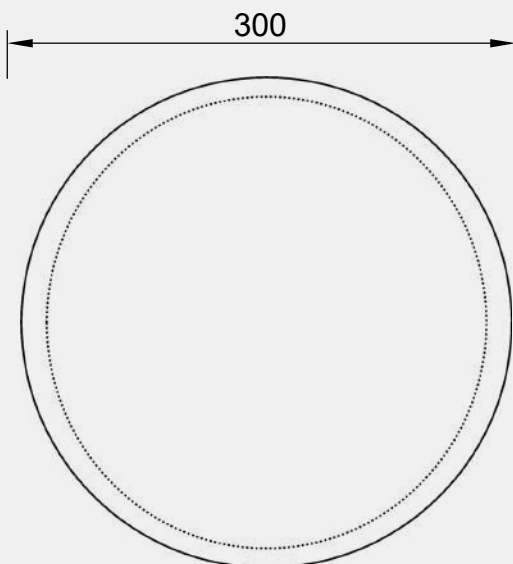
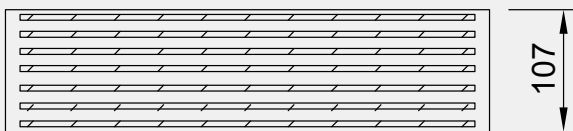
TYPE B

ELASTOMERIC BEARING TYPE B Ø250X63 (45) MM.



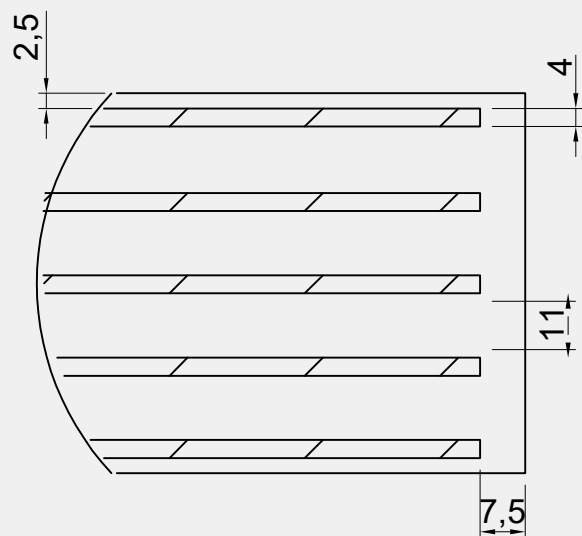
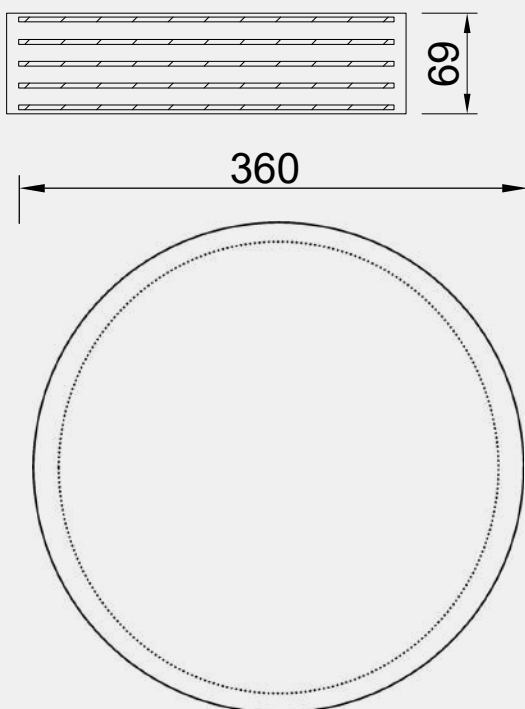
TYPE B

ELASTOMERIC BEARING TYPE B Ø300X107 (71) MM.



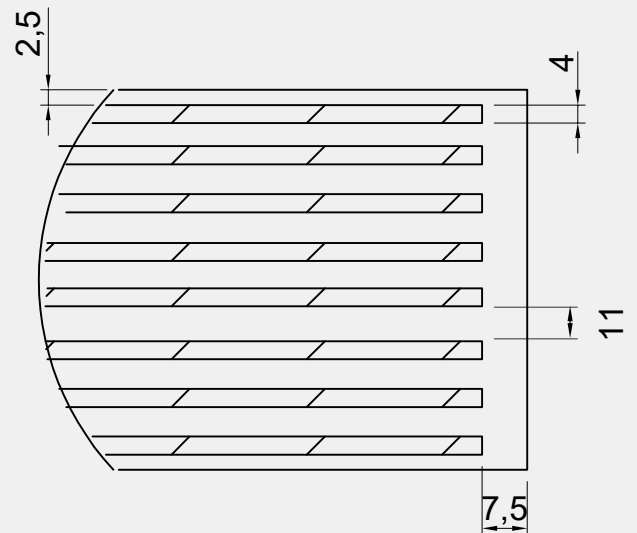
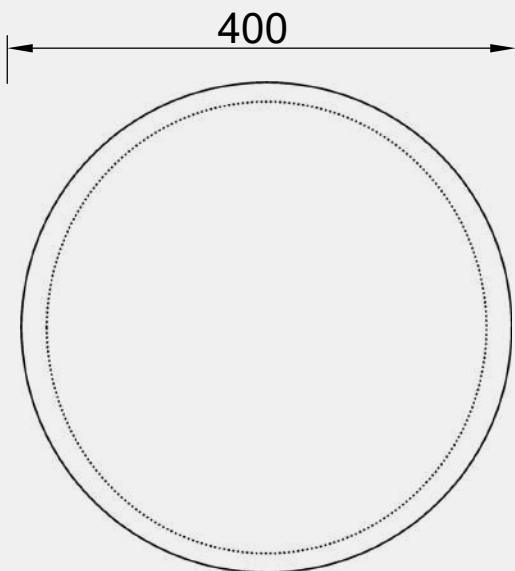
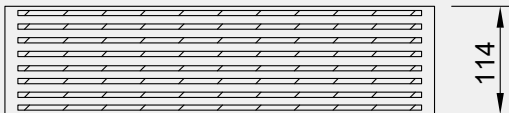
TYPE B

ELASTOMERIC BEARING TYPE B Ø360X69 (49) MM.



TYPE B

ELASTOMERIC BEARING TYPE B Ø400X114 (83) MM.





IRRIGATION CONSTRUCTION AGRICULTUREI, SL

Avda. San Pablo, 31. Nave 23 Inferior

28823.- COSLADA (MADRID)

Tel: +(34)916216488 , +(34)606535467

Email: info@icaslexport.com

www.icaslexport.com



Nahaj Al-Khair co.

Iraq - Baghdad - ALharthia

Tel: Baghdad: 07738412818

Samawah: 07738412819 , 07821657176

Najf: 07738412804

Email: info@nahjk.com

www.nahjk.com



GENERAL TRADING

UR INTERNATIONAL GNERAL TRADING

Office no.603, Sobha ivory 2 , Alasayel street , Bussinus bay, Dubai

Tel: +971 544217575

Email: info@uritrading.com , Director@uritrading.com

www.uritrading.com



ALASWAR LOJisTik iç VE DIS

KEMALPASA MAH ORDU CAD.

SAK IS HANI BLOK NO : 54 iç KAPI NO : 2 FATİH / İSTANBİL

Tel: +90 5315855908

Email: alaswar.istanbul@hotmail.com



The global rubber technical service

Pol. Ind. Los Alberos, C/. Fco. Rivera Ordonez, 17.

41610 Paradas (sevilla) Espana

www.rubberpar.es